

Instructions for Installation

Cable adapter, GOLD SD

1. General

Cable adapter 32611101 is used for connecting a supply air handling unit and an extract air handling unit together with a common control unit located in one of the air handling units. The air handling unit with the control unit has the text IQLogic on its product identification plate.

2. Installation

A cable adapter is installed inside the electric equipment cubicle of the GOLD units without control unit. The supply of these units also includes an unmounted cable adapter.

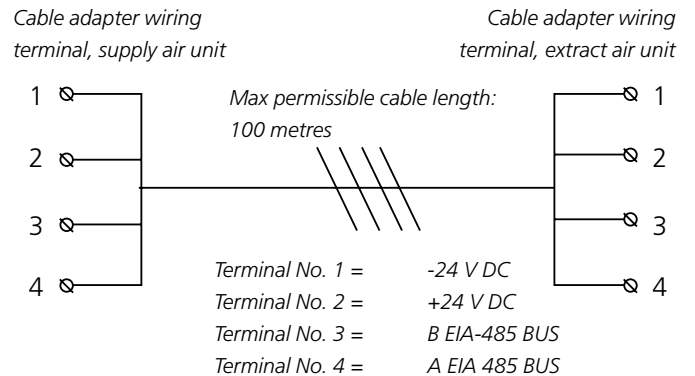
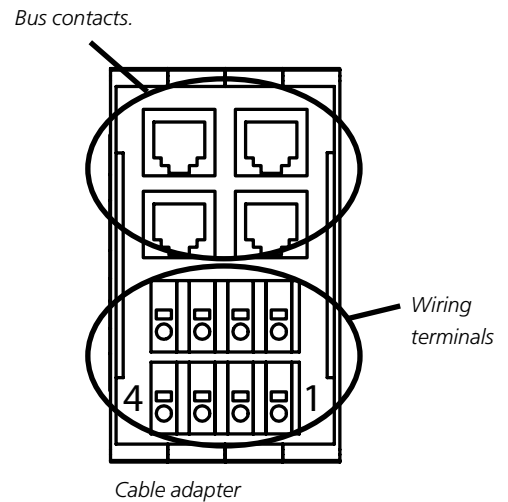
The unmounted adapter should be installed on the DIN rail inside the electric equipment cubicle on the GOLD air handling unit with control unit. See the illustrations on the following pages.

3. Electrical connections

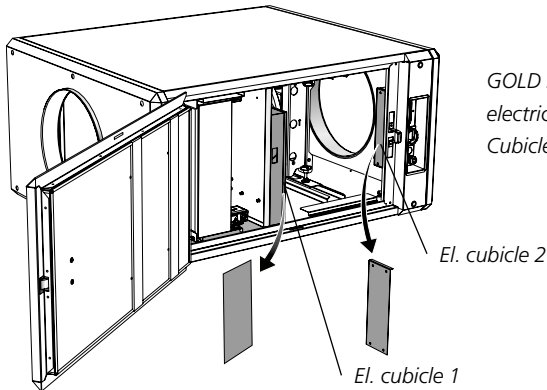
Connect the bus cable between the bus contact on the control unit and the cable adapter. See the illustrations on the following pages.

Connect the cable between the supply air handling unit and the extract air handling unit from wiring terminal to wiring terminal, i.e. from Terminal No. 1 in the supply air handling unit to Terminal No. 1 in the extract air handling unit, see the illustration to the right. Use one of the openings in the oblong rubber-faced cable glands on the inspection sides of the air handling units, for running the cable into the electric equipment cubicle.

The cable between units is not included in the supply. Twisted-pair cables are recommended. Use one cable pair for 24 V and the other cable pair for bus communication.



3.1 GOLD SD, sizes 04/05, 08 and 12

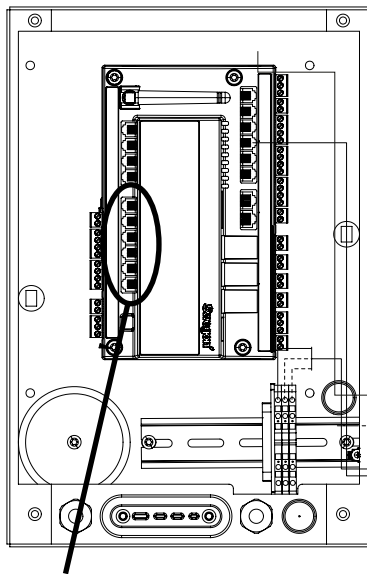


GOLD SD sizes 04/05, 08 and 12 contain two electric equipment cubicles; here called El. Cubicle 1 and 2.

GOLD SD, sizes 04/05, 07/08 and 11/12, version E/F

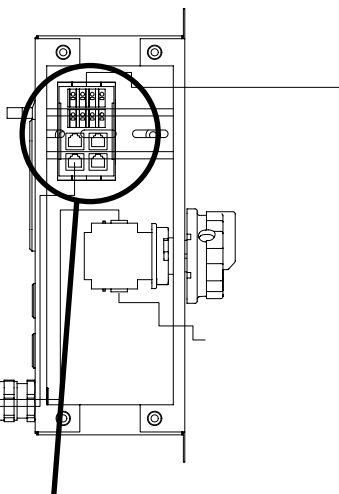
GOLD units with control unit

El. cubicle 1.



Connect the bus cable supplied from one of these bus contacts on the control unit to an optional bus contact on the cable adapter.

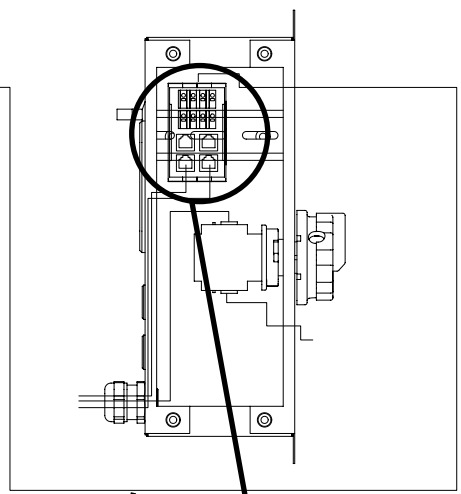
El. cubicle 2.



The cable adapter is not installed. Install the cable adapter supplied inside the GOLD air handling unit without control unit in a similar way in this electric equipment cubicle.

GOLD units without control unit

El. cubicle 2.

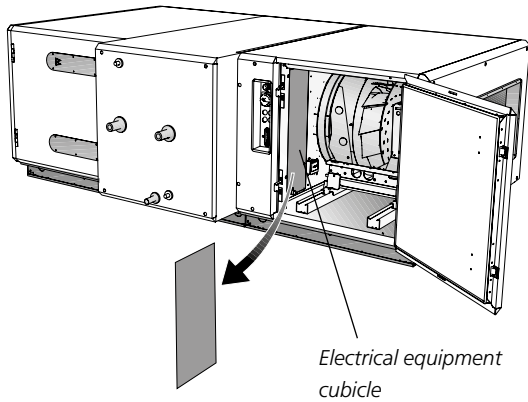


The cable adapter is installed.

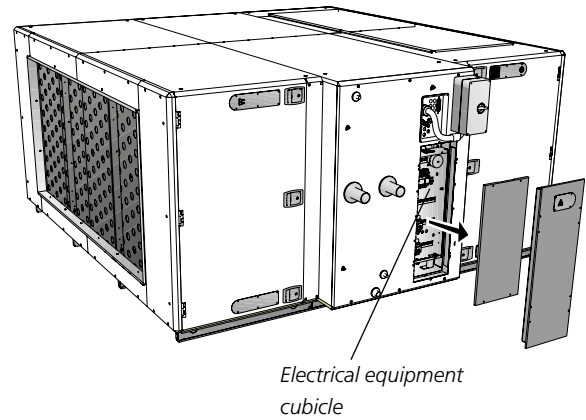
N.B.! If the heat recovery coils are selected as accessories for size 12, the bus cable should be run via the cable adapter in the electric equipment cubicle of the pipework package.

3.2 GOLD SD, sizes 14-120

GOLD SD, sizes 14-80, version E/F

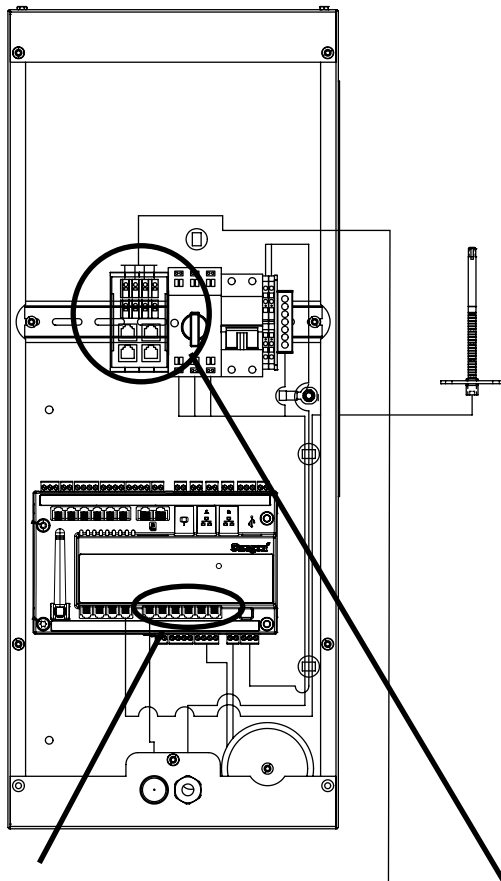


GOLD SD, size 100/120, version E/F

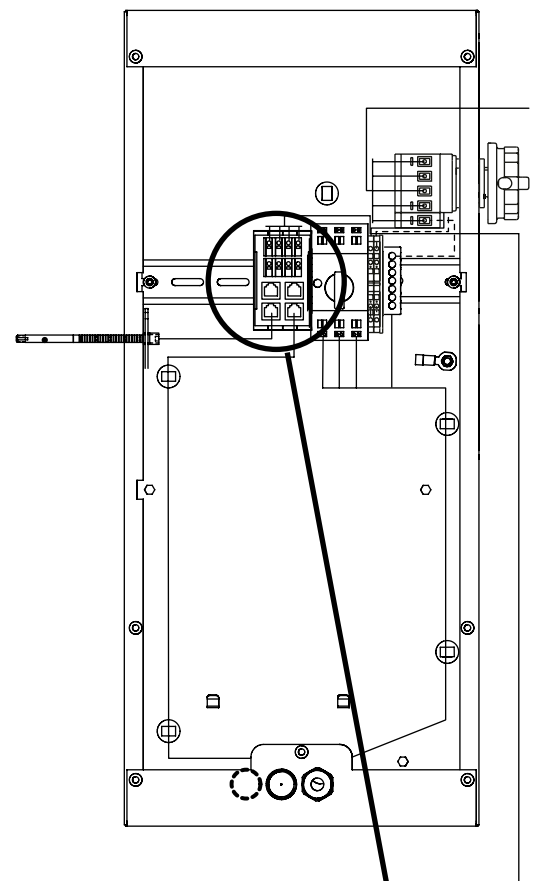


GOLD units with control unit

GOLD units without control unit



Connect the bus cable supplied from one of these bus contacts on the control unit to an optional bus contact on the cable adapter.



The cable adapter is not installed. Install the cable adapter supplied inside the GOLD air handling unit without control unit in a similar way in this electric equipment cubicle.

The cable adapter is installed.

N.B.! If the heat recovery coils are selected as accessories, the bus cable should be run via the cable adapter in the electric equipment cubicle of the pipework package.

