

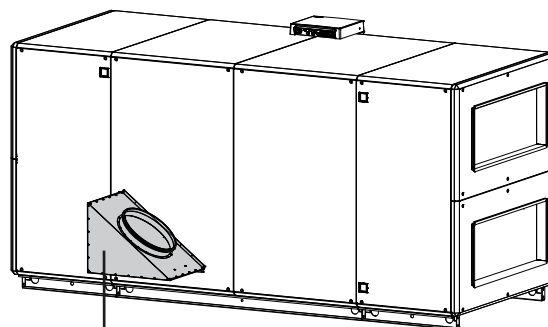
Installation of the Smoke Extraction Adapter GOLD/SILVER C PX

1. General

The smoke extraction adapter is designed for use with GOLD/SILVER C PX, size 004-040.

The smoke extraction adapter is used when you want the extract air to bypass the heat exchanger and filter, e.g. as a component in a system for smoke extraction. See the example.

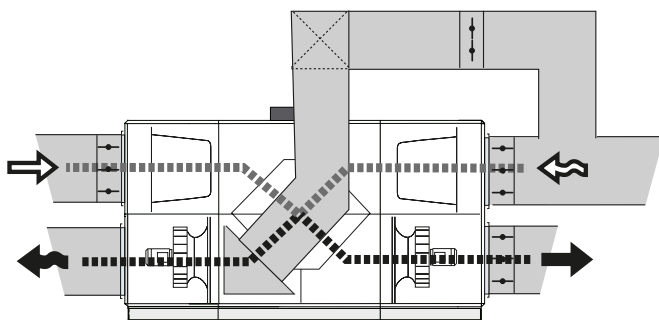
Size, adapter	Part number
005	817109
008	816952
012	815016
020	815025
030	815028
040	817112



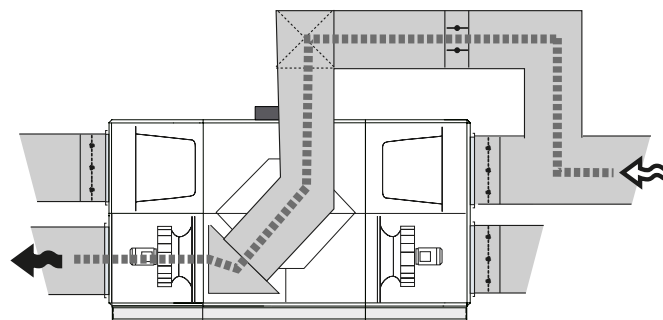
Smoke extraction adapter.
Intake at the rear of the air handling unit.

Example

Normal operation.



The extract air is routed to bypass the heat exchanger and filter

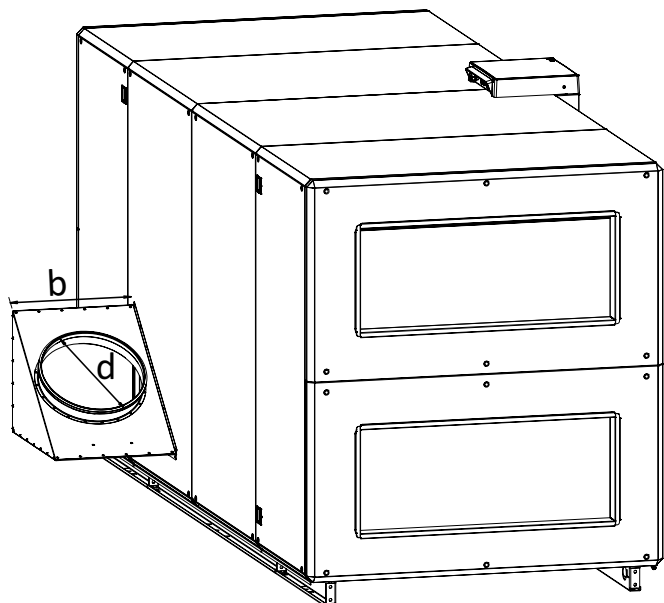


2. Installation

1. The adapter is mounted using self-tapping screws, in pre-drilled holes, above the intake at the rear of the air handling unit.
2. The duct is routed from the adapter to the extract air duct, see the example. The duct is fastened in the adapter using self-tapping screws.

NOTE! The adapter must not bear the weight of the duct.

3. Dimensions



Size, adapter	Length b, mm	Diameter d, mm
005	320	250
008	385	315
012	477	400
020	477	400
030	577	500
040	700	630

3. Data

Calculation of flow and velocity smoke outlet, at 200 Pa duct pressure

AHU	Ø (mm)	Motor	Max. flow (m ³ /s)	Velocity (m/s)	Pressure drop (Pa)
PX04	250	E1	0.45	9.2	68
PX05	250	E1	0.6	12.2	121
	250	E2	0.65	13.2	142
PX07	315	E1	0.7	9.0	65
	315	E2	0.75	9.6	75
PX08	315	E1	0.9	11.5	108
	315	E2	1	12.8	133
PX11	400	E1	1.1	8.8	62
	400	E2	1.1	8.8	62
PX12	400	E1	1.3	10.3	87
	400	E2	1.4	11.1	101
PX14	400	E1	1.65	13.1	140
	400	E2	1.65	13.1	140
PX20	400	E1	2.1	16.7	226
	400	E2	2.1	16.7	226
PX25	500	E1	2.5	12.7	131
	500	E2	2.5	12.7	131
PX30	500	E1	3.1	15.8	202
	500	E2	3.2	16.3	215
PX35	630	E1	3.7	11.9	114
	630	E2	4	12.8	133
PX40	630	E1	4.9	15.7	200
	630	E2	5.5	17.6	252